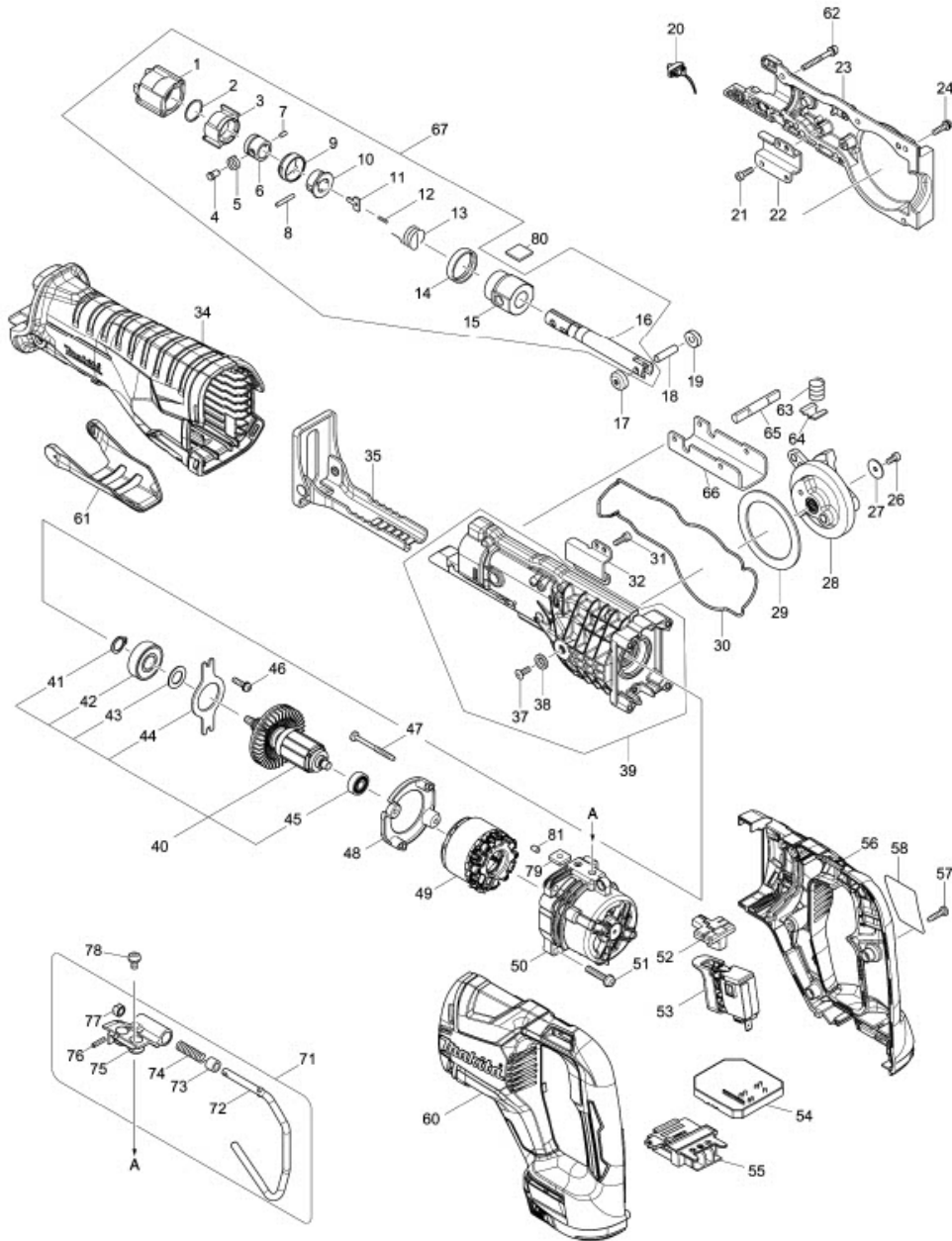


Part Diagram

Model No.DJR187 CORDLESS RECIPRO SAW



Item	Sub	Parts No.	Parts Description	Qty
1		424763-8	PROTECTOR	1
2		257952-8	RETAINING RING (EXT) 18	1
002-1		257430-8	RETAINING RING(EXT)18	1
3		310662-9	DRIVING SLEEVE	1
4		256569-4	SHOULDER PIN 5	1
5		234381-2	COMPRESSION SPRING 6	1
6		331720-8	GUIDE SLEEVE	1
006-1		327043-0	GUIDE SLEEVE	1
7		268094-3	PIN 3	1
8		256158-5	PIN 3	1
9		417791-0	DRIVING SLEEVE GUIDE	1
10		418311-3	SLEEVE	1
11		345214-7	PUSH PLATE	1
12		233025-1	COMPRESSION SPRING 2	1
13		231687-9	TORSION SPRING 17	1
14		424762-0	RUBBER RING	1
15		143365-8	SLIDER GUIDE COMPLETE	1
15	C10	213151-2	OIL SEAL 14	1
15	C20	213174-0	X RING 14	1
16		161376-1	SLIDER	1
17		310663-7	ROLLER	1
18		268341-2	PIN 6	1
19		310663-7	ROLLER	1
20		620434-7	LED CIRCUIT	1
21		922117-8	HEX. SOCKET HEAD BOLT M4X12	2
021-1		265353-6	HEX. SOCKET HEAD BOLT M4X12	2
021-1C		265353-6	HEX. SOCKET HEAD BOLT M4X12	2
22		346936-2	ROD GUIDE R	1
23		143362-4	GEAR HOUSING R COMPLETE	1
24		911128-8	P.H.SCREW M4X16 WITH WR	5
26		922107-1	HEX. SOCKET HEAD BOLT M4X8	1
026-1		265911-8	HEX. SOCKET HEAD BOLT M4X8	1
026-1C		265911-8	HEX. SOCKET HEAD BOLT M4X8	1
27		267491-0	FLAT WASHER 4	1
28		143359-3	GEAR COMPLETE	1
028-1		140D35-4	GEAR COMPLETE	1
29		267490-2	FLAT WASHER 54	1
30		424764-6	SEAL RING	1
31		922117-8	HEX. SOCKET HEAD BOLT M4X12	2
031-1		265353-6	HEX. SOCKET HEAD BOLT M4X12	2
031-1C		265353-6	HEX. SOCKET HEAD BOLT M4X12	2
32		346935-4	ROD GUIDE L	1
34		424765-4	INSULATION COVER	1
35		161374-5	SHOE	1
035-1		161809-6	SHOE	1
37		912112-6	COUNTERSUNK HEAD SCREW M4X10	1
037-1		265135-6	+ COUNTERSUNK HEAD SCREW M4X10	1
037-1C		265135-6	+ COUNTERSUNK HEAD SCREW M4X10	1
38		253825-3	FLAT WASHER 6	1
39		123509-6	GEAR HOUSING L ASSEMBLY	1
039A	D10		INC. 37,38	
039-1		126677-4	GEAR HOUSING L ASSEMBLY	1
039-1A	D10		INC. 37,38	
039-1C		126677-4	GEAR HOUSING L ASSEMBLY	1
039-1C	D10		INC. 37,38	
039-2		127462-8	GEAR HOUSING L ASSEMBLY	1
039-2	D10		INC. 37,38	
40		519391-3	ROTOR ASS'Y	1

Item	Sub	Parts No.	Parts Description	Qty
040A	D10		INC. 41-45	
040-1		519418-9	ROTOR ASS'Y	1
040-1A	D10		INC. 41-45	
040-1C		519418-9	ROTOR ASS'Y	1
040-1C	D10		INC. 41-45	
040-2		519529-0	ROTOR ASS'Y	1
040-2	D10		INC. 41-45	
41		961052-5	RETAINING RING S-12	1
42		210118-1	BALL BEARING 6201DDW	1
43		253744-3	FLAT WASHER 12	1
44		285740-3	BEARING RETAINER 66	1
45		210062-2	BALL BEARING 607ZZ	1
46		911128-8	P.H.SCREW M4X16 WITH WR	2
47		266069-6	TAPPING SCREW 4X45	2
047-1		266425-0	TAPPING SCREW 4X45	2
48		456178-1	BAFFLE PLATE	1
49		629179-4	STATOR	1
50		456179-9	MOTOR HOUSING	1
050-1		412476-3	MOTOR HOUSING	1
51		911243-8	PAN HEAD SCREW M5X25	4
52		456177-3	CHANGE BUTTON	1
53		650759-5	SWITCH C3JW-6B-2	1
54		620432-1	CONTROLLER A	1
054-1		620812-1	CONTROLLER A	1
55		643899-6	TERMINAL	1
055-1		643874-2	TERMINAL	1
055-1C		643874-2	TERMINAL	1
56		183C47-8	HANDLE SET	1
056A	C10	263005-3	RUBBER PIN 6	2
056A	D10		INC. 60	
056-1		183D21-2	HANDLE SET	1
056-1A	C10	263005-3	RUBBER PIN 6	2
056-1A	D10		INC. 60	
056-1C		183D21-2	HANDLE SET	1
056-1C	C10	263005-3	RUBBER PIN 6	2
056-1C	D10		INC. 60	
056-2		183K23-0	HANDLE SET	1
056-2	C10	263005-3	RUBBER PIN 6	4
056-2	D10		INC. 60	
57		266326-2	TAPPING SCREW 4X18	6
58		851P12-0	DJR187 NAME PLATE	1
60		183C47-8	HANDLE SET	1
060A	C10	263005-3	RUBBER PIN 6	2
060A	D10		INC. 56	
060-1		183D21-2	HANDLE SET	1
060-1A	C10	263005-3	RUBBER PIN 6	2
060-1A	D10		INC. 56	
060-1C		183D21-2	HANDLE SET	1
060-1C	C10	263005-3	RUBBER PIN 6	2
060-1C	D10		INC. 56	
060-2		183K23-0	HANDLE SET	1
060-2	C10	263005-3	RUBBER PIN 6	4
060-2	D10		INC. 56	
61		456176-5	LOCK LEVER	1
62		266979-7	HEX.SOCKET HEAD BOLT M4X35 WR	2
63		231231-2	COMPRESSION SPRING 12	1
64		346938-8	SHOE LOCK PLATE	1
65		326599-0	LOCK PIN	1
66		346937-0	SHOE GUIDE PLATE	1

Item	Sub	Parts No.	Parts Description	Qty
67		123510-1	SLIDER ASSEMBLY	1
67	D10		INC. 1-16	
067-1		127397-3	SLIDER ASSEMBLY	1
067-1	D10		INC. 1-16	
71		123455-3	HOOK ASSEMBLY	1
71	D10		INC. 72-77	
72		281223-1	HOOK	1
73		262561-0	SLEEVE 6	1
74		233455-6	COMPRESSION SPRING 7	1
75		319344-0	JOINT	1
76		951057-3	SPRING PIN 3-12	1
77		310661-1	LOCK SLEEVE	1
78		911206-4	PAN HEAD SCREW M5X10	2
79		264002-2	SQUARE NUT M5	2
80		424858-7	FELT 16X16	1
81		263002-9	RUBBER PIN 4	1
A01		B-05169	RECIPROSAWBLADE FOR METAL	1
A02		B-05175	RECIPROSAWBLADE FOR WOOD	1
A03		821620-5	PLASTIC CARRYING CASE	1
A03B	C10	162271-8	LATCH	2
A04B		807X11-8	DJR187RFE PLASTIC CASE LABEL	2
A04C		807X20-7	DJR187RME PLASTIC CASE LABEL	2
A05		450128-8	BATTERY COVER	1
A06		***DC18RC	DC18RC FAST CHARGER	1
A06B	D10		COMPO-PARTS	
A07B		197600-6	BATTERY BL1830B SET	2
A07C		197265-4	BATTERY BL1840B SET	2
A07-1B		197600-6	BATTERY BL1830B SET	2
A07-1C		197265-4	BATTERY BL1840B SET	2